

## UV LED BULB - 420nm Series

### Product Pictures.



### Product Applications.

UV light source for photocatalyst.  
UV light source for curing.  
Plan grow light for green house.  
Inspection lighting.  
Architectural lighting.  
Industrial emitters  
Phosphors Stimulation

### Product Features.

UV radiation.  
Directly replace for any E27 bulb.  
Superior and unique design for perfect optical performance.  
Up to 50% energy saving than conventional mercury lamps.  
Good thermal management avoids heat degeneration.  
Water-resistant  
Lead-free, mercury-free, environment-friendly.

### Typical Technical Characteristics.

General	Light Color	UV Light Source	Beam Angle	Material of Housing
For all types	Ultra Violet	VioLED 420-5R15	15 degree	UV Resistant Polycarbonate.

General	Operating Temperature	Storage Temperature	Dimensions	Remark
For all types	-20 °C ~ +50 °C	-40 °C ~ +80 °C	96*102mm (Dia. * Height)	Custom wavelengths are available.

### VioLED International Inc.

4F-2, No.427, Zhongshan N. Rd., Daya Dist., Taichung City 428, Taiwan.  
TEL:886-4-25692507 FAX: 886-4-25691977 <http://www.violed.com.tw>

**Specification & Device Selection Guide.**

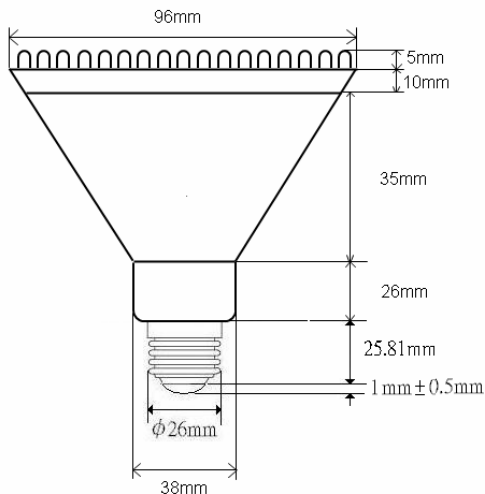
**3W UV LED Bulb (Cap Base = E27, Color of Housing = White)**

P/N	$\lambda_p$	Input Voltage	Power Cons.	Output Power	LED Q'ty	Weight
420-3WUB-230V	415nm ~ 425nm	AC 230V	3.3W	676mw	52pcs	120g
420-3WUB-110V	415nm ~ 425nm	AC 110V	2.9W	676mw	52pcs	120g

**7W UV LED Bulb (Cap Base = E27, Color of Housing = White)**

P/N	$\lambda_p$	Input Voltage	Power Cons.	Output Power	LED Q'ty	Weight
420-7WUB-230V	415nm ~ 425nm	AC 230V	7.5W	1716mw	132pcs	150g
420-7WUB-110V	415nm ~ 425nm	AC 110V	6.4W	1716mw	132pcs	150g

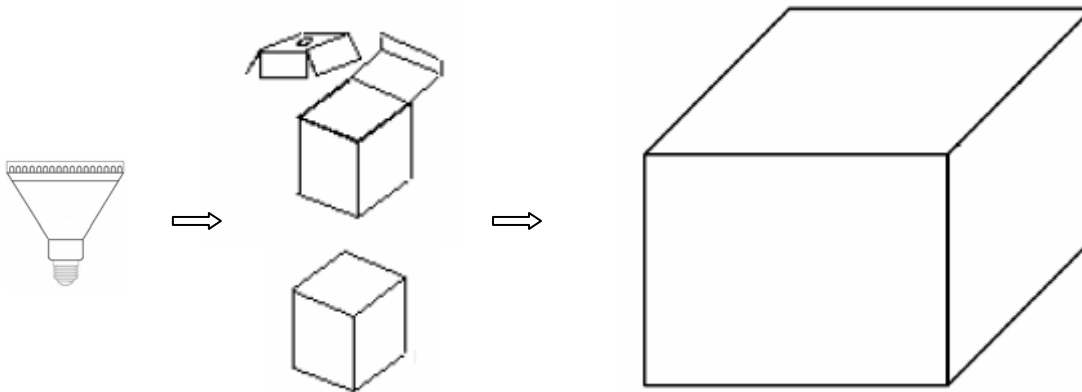
**Product Dimensions.**



**VioLED International Inc.**

4F-2, No.427, Zhongshan N. Rd., Daya Dist., Taichung City 428, Taiwan.  
TEL:886-4-25692507 FAX: 886-4-25691977 <http://www.violed.com.tw>

**Packing Information.**



Pieces per Pack = 1 piece  
Packs per Outer-Box = 24 (3W)  
Packs per Outer-Box = 12 (7W)

**Warning.**

UV LED light device, radiates intense UV light during operation.  
Do not permit children or untrained personnel to operate this device.  
Do not look directly into the UV light during operation of the device.  
Exposure to UV light, even for a brief period, can damage your eyes.  
During operation, the use of Ultra Violet protective goggles is recommended.

**Installation.**

**Way 1: Install in E27 cap base light fixture.**



**Way 2: Install in E27 cap base connector and plug to power socket.**

